

TIMBERLOOK FLUSH SASH DOOR

AFFORDABLE - PVC DOOR ORDER FORM

Please Read Attached Specification Guide SG1312 Before Placing Order

Page of

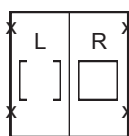
Customer _____
 Address _____
 Tel No _____
 Email/Fax _____
 Post Code _____ Job Reference _____
 Contact _____ Quote Date _____

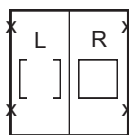
Goods £
 VAT £
 Total £

Order Date _____
 Customer Signature _____
(By Signing this order you agree to Affordable Window Systems Ltd. Terms & Conditions)
 Date Req. (ALSO INVOICE DATE) _____

PRODUCTION CODE: _____ DELIVERY CODE: _____

SPECIFICATIONS	COLOUR OUTSIDE		COLOUR INSIDE		INFORMATION
DOC Q COMPLIANT OR PAS 24 <input type="checkbox"/>	White <input type="checkbox"/>	Rosewood <input type="checkbox"/>	White <input type="checkbox"/>		Max Width Single Door 900mm Max Width French Door 1800mm Max Height Any Door 2150mm Midrail / Transom not available Double handle operation on French doors as standard All outers and sashes are welded and not mechanically joined. Only low pvcu 60mm or 70mm threshold available
View Outside Only	Polar White <i>(White Foil)</i> <input type="checkbox"/>	Chartwell Green <input type="checkbox"/>	Polar White <i>(White Foil)</i> <input type="checkbox"/>		
Glass 24mm STD	Antique Pine <i>(Irish Oak)</i> <input type="checkbox"/>	Black Foil <input type="checkbox"/>	Antique Pine <i>(Irish Oak)</i> <input type="checkbox"/>		
Size Only No Glass <input type="checkbox"/>	Smooth Anthracite <input type="checkbox"/>	Painswick <input type="checkbox"/>	Smooth Anthracite <input type="checkbox"/>		
Warm Edge A Rated	Anthracite Foil <input type="checkbox"/>	Golden Oak <input type="checkbox"/>	Anthracite Foil <input type="checkbox"/>		
Black Std <input type="checkbox"/> White <input type="checkbox"/>	Cream Foil 9001 <input type="checkbox"/>		Cream Foil 9001 <input type="checkbox"/>		
<small>NB Base Colour will be white unless a more suitable colour is available* REFER TO INFO SHEET FOR AVAILABILITY AND LEAD-TIME INFORMATION</small>					

Door Type Single <input type="checkbox"/> French <input type="checkbox"/>	Item <input type="text"/> Qty. <input type="text"/> Location <input type="text"/>	Cill None <input type="checkbox"/> 85mm <input type="checkbox"/> 150mm <input type="checkbox"/> 180mm <input type="checkbox"/> Welded <input type="checkbox"/>	Add-on: [S] <input type="checkbox"/> [M] <input type="checkbox"/> [L] <input type="checkbox"/> Left <input type="text"/> Right <input type="text"/> Top <input type="text"/> Bottom <input type="text"/>	Clear <input type="checkbox"/> Toughened <input type="checkbox"/>
Door Opening Out <input type="checkbox"/>	Frame Width <input type="text"/> Frame Height <input type="text"/>			Pattern <input type="text"/>
Handle Type Lever / Lever Standard <input type="checkbox"/> Lever / Pad <input type="checkbox"/> Swan Neck Handles <input type="checkbox"/>	Door Width <input type="text"/>			Decoration Silver <input type="checkbox"/> Georgian <input type="checkbox"/> Aged <input type="checkbox"/> 18mm <input type="checkbox"/> Diamond <input type="checkbox"/> 25mm <input type="checkbox"/> Square <input type="checkbox"/> White <input type="checkbox"/> 6mm <input type="checkbox"/> WGrain <input type="checkbox"/> 9mm <input type="checkbox"/> Astragal <input type="checkbox"/>
Door Handle Colour White <input type="checkbox"/> Silver Satin <input type="checkbox"/> Black <input type="checkbox"/> Gold Polished <input type="checkbox"/> Chrome Bright <input type="checkbox"/> Antique Black <i>(Swan Neck Only)</i> <input type="checkbox"/>	Restricted Opening <input type="text"/>			Leads 6mm <input type="checkbox"/> 9mm <input type="checkbox"/>
High Security Ultion Cylinder <input type="checkbox"/>	Master 	Mullion Split <input type="text"/> / <input type="text"/>	Drainage Conceal <input type="checkbox"/> Face <input type="checkbox"/>	Letterbox Placement Door <input type="checkbox"/> Panel <input type="checkbox"/> Side P <input type="checkbox"/> Bottom <input type="checkbox"/> Door Restrictor <input type="checkbox"/>
		Trickle Vent Head (Only) <input type="checkbox"/>	Threshold Low PVCu 60mm <input type="checkbox"/> 70mm <input type="checkbox"/>	Panel <input type="text"/>

Door Type Single <input type="checkbox"/> French <input type="checkbox"/>	Item <input type="text"/> Qty. <input type="text"/> Location <input type="text"/>	Cill None <input type="checkbox"/> 85mm <input type="checkbox"/> 150mm <input type="checkbox"/> 180mm <input type="checkbox"/> Welded <input type="checkbox"/>	Add-on: [S] <input type="checkbox"/> [M] <input type="checkbox"/> [L] <input type="checkbox"/> Left <input type="text"/> Right <input type="text"/> Top <input type="text"/> Bottom <input type="text"/>	Clear <input type="checkbox"/> Toughened <input type="checkbox"/>
Door Opening Out <input type="checkbox"/>	Frame Width <input type="text"/> Frame Height <input type="text"/>			Pattern <input type="text"/>
Handle Type Lever / Lever Standard <input type="checkbox"/> Lever / Pad <input type="checkbox"/> Swan Neck Handles <input type="checkbox"/>	Door Width <input type="text"/>			Decoration Silver <input type="checkbox"/> Georgian <input type="checkbox"/> Aged <input type="checkbox"/> 18mm <input type="checkbox"/> Diamond <input type="checkbox"/> 25mm <input type="checkbox"/> Square <input type="checkbox"/> White <input type="checkbox"/> 6mm <input type="checkbox"/> WGrain <input type="checkbox"/> 9mm <input type="checkbox"/> Astragal <input type="checkbox"/>
Door Handle Colour White <input type="checkbox"/> Silver Satin <input type="checkbox"/> Black <input type="checkbox"/> Gold Polished <input type="checkbox"/> Chrome Bright <input type="checkbox"/> Antique Black <i>(Swan Neck Only)</i> <input type="checkbox"/>	Restricted Opening <input type="text"/>			Leads 6mm <input type="checkbox"/> 9mm <input type="checkbox"/>
High Security Ultion Cylinder <input type="checkbox"/>	Master 	Mullion Split <input type="text"/> / <input type="text"/>	Drainage Conceal <input type="checkbox"/> Face <input type="checkbox"/>	Letterbox Placement Door <input type="checkbox"/> Panel <input type="checkbox"/> Side P <input type="checkbox"/> Bottom <input type="checkbox"/> Door Restrictor <input type="checkbox"/>
		Trickle Vent Head (Only) <input type="checkbox"/>	Threshold Low PVCu 60mm <input type="checkbox"/> 70mm <input type="checkbox"/>	Panel <input type="text"/>

NOTES	
<p>Overall Sizes to Include Add-Ons and Cills (Transom, Mullion and Midrail Sizes are <u>Excluding</u> Add-Ons and Cills)</p>	